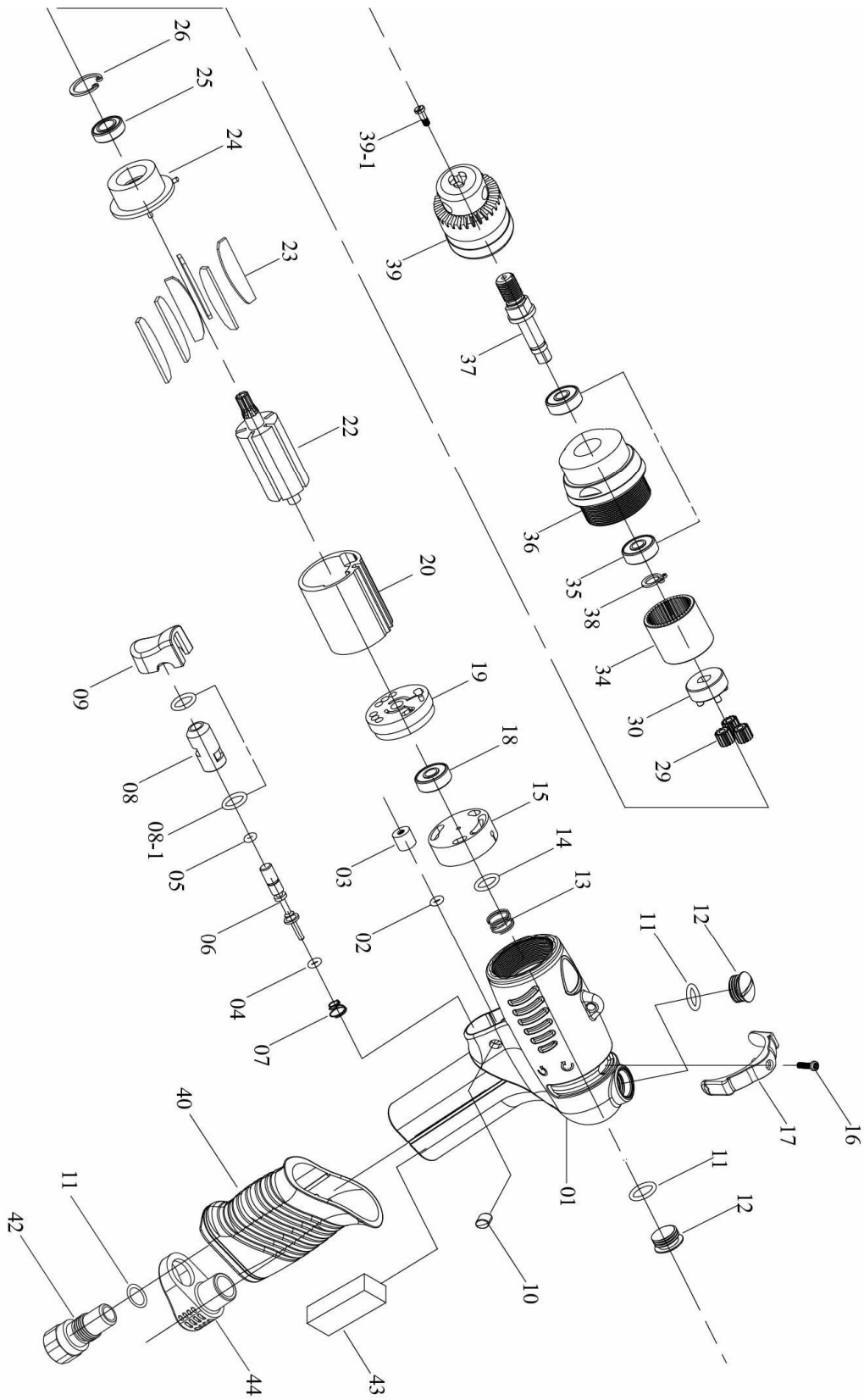


PNEUMATIC SCREWDRIVER



PNEUMATIC SCREWDRIVER

No.	Part No.	Part Name	Q'ty	No.	Part No.	Part Name	Q'ty
1	5L2107	Pistol Housing (Green)	1	20	1P3005	Cylinder	1
2	7Q2008	O Ring	1	22	1S3048	7T Rotor	1
3	2C2003-A	Blank Cap	1	23	1P3081	Blade	6
4	7Q2007	O Ring	1	24	1P3061	Front Plate	1
5	7Q6112	Valve O-Ring	1	25	7S2002	Ball Bearing	1
6	6S2023	Valve Pin	1	26	6N2020	C Ring	1
7	6N2106	Cone Spring	1	29	1P2105	15T Plant Gear	3
8	6S2024	Valve Bushing	1	30	1P5112	Gear Cage	1
8-1	7Q2009	O-Ring	2	34	1P2292	Internal Gear	1
9	5L2102	Button (Blue)	1	35	7S2010	Ball Bearing	2
10	5L2112	Cap (Blue)	2	36	5A5352	Gear Housing	1
11	2Q5001	O Ring	3	37	3S5044	Anvil	1
12	2S2011	Screw Cap	2	38	6N2081	C Ring	1
13	6N2108	Spring	1	39	7S3111	Drill Chuck	1
14	7Q2017	Valve O-Ring	1	39-1	7S2118	Left Screw	1
15	6S2204	Valve	1	40	5L3206	Pistol Cover	1
16	7S2107	Set Screw And Washer	1	42	2S2005	Air Inlet Bushing [PT]	1
17	5L2106	Switch (Blue)	1	43	2P3040	Silencer	1
18	7S2001	Ball Bearing	1	44	2P3041	Silencer For Pistol	1

PNEUMATIC SCREWDRIVER

19	1S3001-A	End Plate	1				
----	----------	-----------	---	--	--	--	--