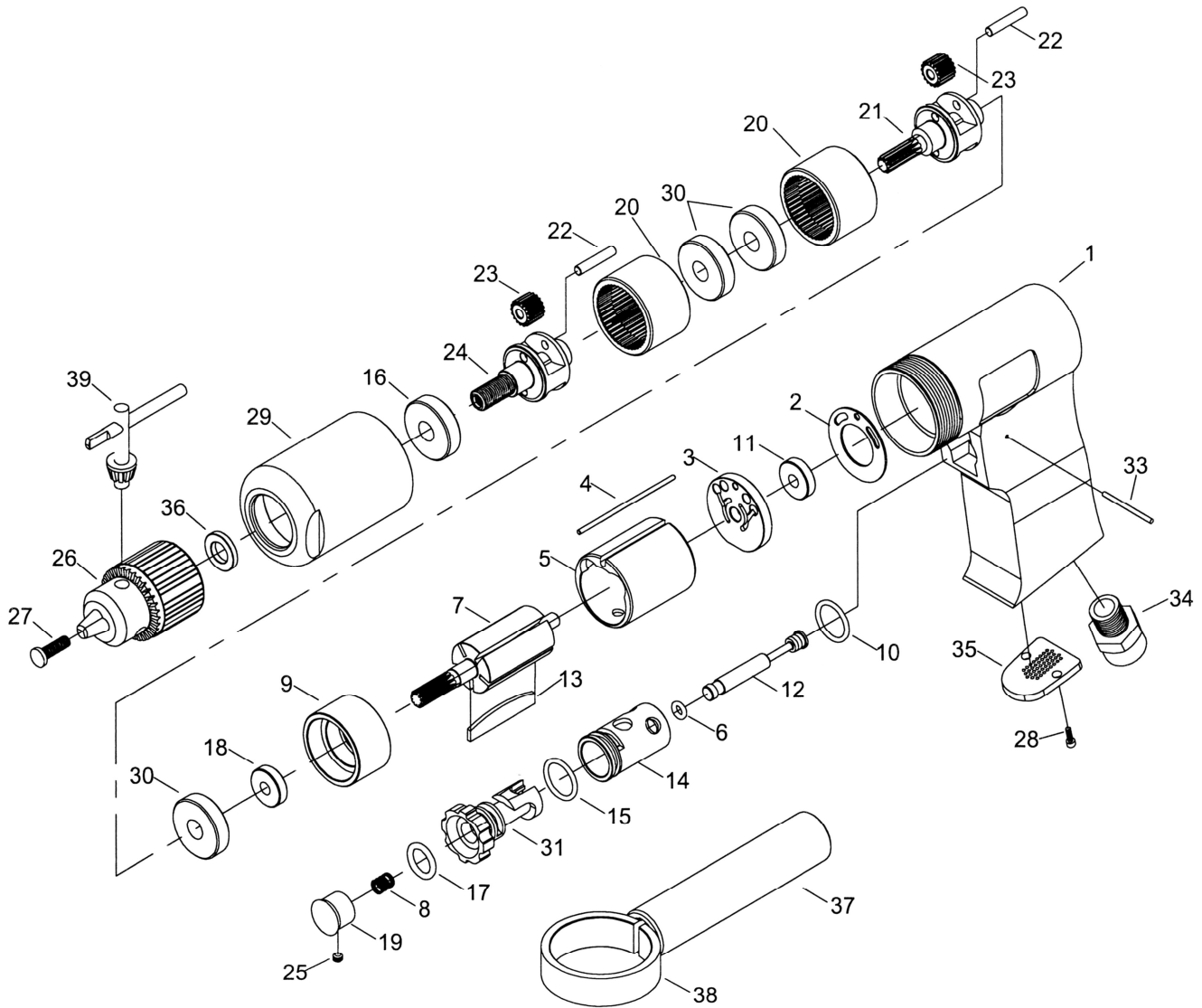


1/2" Professional Reversible Air Drill



NO	PART NO	DESCRIPTION	Q'TY	NO	PART NO	DESCRIPTION	Q'TY
1	83ABA-406-00AAAA	Housing Motor	1	20	83GA-408	Internal Gear	2
2	82GB-402-A	Motor Gasket	1	21	83GC-A408	Gear Plate	1
3	83MDG-406	Rear End Plate	1	22	82N42-S40*150	Pin	4
4	82N42-S20*560	Cylinder Pin	1	23	83GG-A408	Gear	4
5	83MBF-406	Cylinder	1	24	83GD-A408	Planet Link Spindle	1
6	82N52-J040*20	O-ring	1	25	82B07-SM04*004	Set Screw	1
7	83MAS-408	Rotor	1	26	83UTP-4008B-1	Drill Chuck (1/2")	1
8	82S1-07*90*130	Spring	1	27	82B02-SM05*019	Chuck Screw	1
9	83MCG-406	Front Plate	1	28	82B03-SM03*008	Screw	2
10	82N52-J160*20	O-ring	1	29	83AAF-408	Clamp Nut (1/2")	1
11	82N35-626ZZC0-B	Ball Bearing	1	30	82N35-6001ZZ-CM-B	Ball Bearing	3
12	83VCF-406	Valve Stem	1	31	83VAB-406	Reverse Lever	1
13	83MEH-201-2	Rotor Blades	5	33	82N42-S20*260	Spring Pin	1
14	83VBC-406	Reverse Bushing	1	34	83VFF-406-1	Air Inlet	1
15	82N52-J150*20	O-ring	1	35	83VKN-406	Exhaust Diffuser	1
16	82N35-6201ZZCM-B	Ball Bearing	1	36	83DABE-096*170*027	Washer	1
17	82N52-J130*15	O-ring	1	37	83DBBP-404	Hand Grip	1
18	82N35-608ZZC2-B	Ball Bearing	1	38	83DBCC-408	Ring Hand	1
19	83VDF-406	Trigger	1	39	83UTP-4007-2	Chuck Key	1