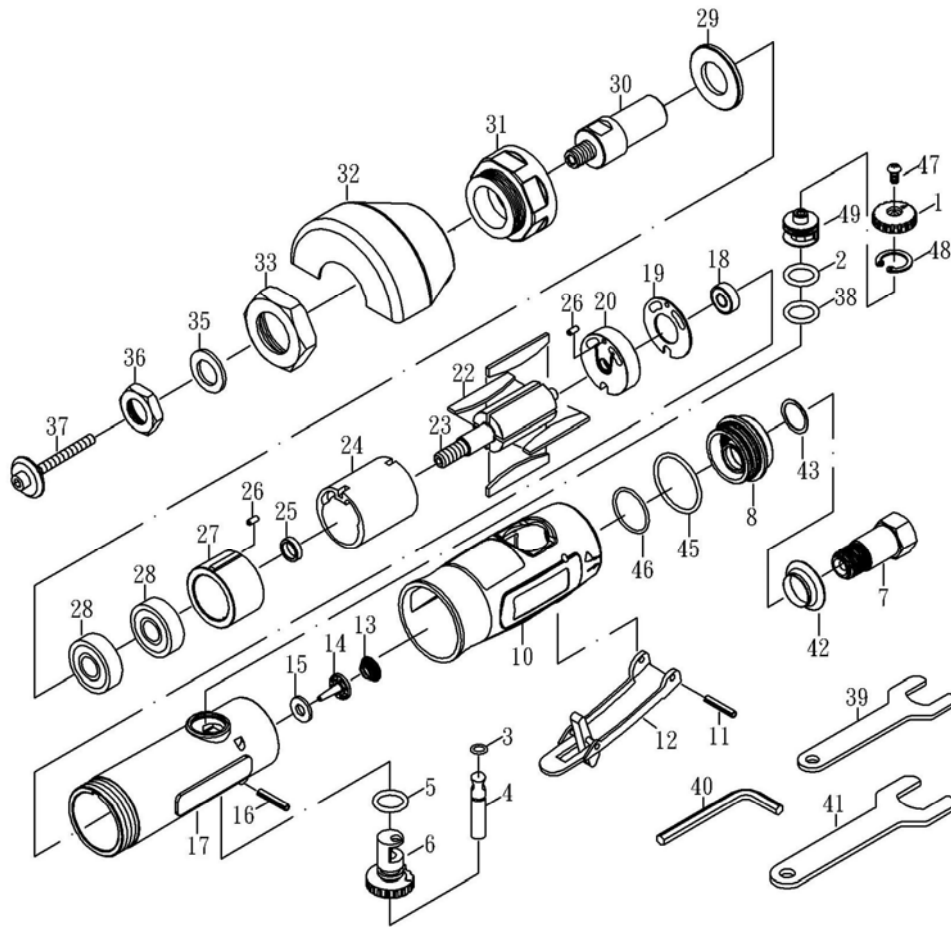


# 3" REVERSIBLE AIR CUTTER



NO.	PARTS NO.	DESCRI	Q'TY
1	ST25101A-2	REGULATOR	1
2	ST25102	O-RING (AS015)	1
3	OB-04	O-RING (3.5*1.4)	1
4	OB-05	VALVE STEM	1
5	OB-02	O-RING (P10)	1
6	CT25106	REGULATOR	1
7	ST25107A	AIR INLET	1
8	ST25108A	MUFFLER	1
10	ST250R10	PROTECTING RUBBER	1
11	12012.1	PIN (3*24L)	1
12	ST25112	LEVER	1
13	ST288314	SPRING	1
14	ST288315	VALVE	1
15	ST288316	WASHER (6*13.8*1.6T)	1
16	ST25116A	PIN (2.8*25.8L)	1
17	ST25117-1	HOUSING	1
18	22536A	BEARING (626ZZ)	1
19	ST25119	WASHER (17*33.2*0.8T)	1
20	ST25120	REAR PLATE	1
22	ST25122	ROTOR BLADE	4
23	ST25123	ROTOR	1
24	ST21315	CYLINDER	1
25	ST25125	BEARING SPACER	1

NO.	PARTS NO.	DESCRI	Q'TY
26	70018	PIN (2.5*6L)	2
27	ST25127	FRONT PLATE	1
28	70048A	BEARING (6000ZZ)	2
29	ST25129	WASHER (22*33.2*3T)	1
30	ST25130	DISC RETAINER	1
31	ST25131	CLAMP NUT	1
32	ST25132A	GUARD	1
33	ST25029	NUT	1
35	ST25135	WASHER (9.6*21*1.5T)	1
36	ST25136	NUT	1
37	ST25138	SCREW	1
38	ST25150	O-RING (S16)	1
39	BT21039-19	STOP SPANNER	1
40	26045	HEX	1
41	BT25141	STOP SPANNER	1
42	ST20036	MUFFLER BODY	1
43	LDB250R43	WASHER	1
45	LDB250R45	O-RING (AS125)	1
46	LDB250R46	O-RING (S30)	1
47	81447	SCREW (M4*8)	1
48	ST25148	SNAP RING (RTW-18)	1
49	ST25101A-1	REGULATOR	1